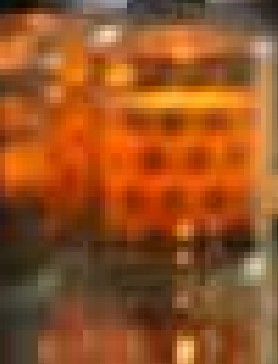




THE PENMAN
COLLECTION

STOVE COLLECTION | 1ST EDITION 2023 - 2024





CONTENTS

STOVES

Avebury Multifuel	10
Avebury Gas	12
Bassington Eco Multifuel	14
Bassington Eco Gas	18
Bassington Electric	22
Bassington Compact Multifuel	24
Bassington Compact Gas	28
Kirkham Multifuel	32
Kirkham Gas	34
Kirkham Eco Max	36
Aurus Wood Burning	38
Kassel Wood Burning	40
Lunen Wood Burning	42
Panamera Multifuel	44
Savona Inset Stove	46
Vega Edge 200SL Multifuel	48
Vega B7/C7 Gas Stove	50

CHAMBERS

Chambers	54
Chamber Trim Kit	57
Tiles	58

HEARTHES	60
----------	----

BEAMS	64
-------	----

TECHNICAL INFORMATION

Chimney Types	68
Stove Information	69
Stove Dimensions	70
Aftercare & Maintenance	74
General	76
Installation	79

Pictured: Bassington E Stove. Please see page 22 for details.

TRANSFORMING HOMES

A fireplace has the ability to transform any room. It becomes a symbol of security, contentment, and warmth. The Penman Collection presents a clearly distinctive range of fireplaces, stoves, and accessories that combines investment in design with quality materials and expert craftsmanship.

By taking inspiration from classical design themes and infusing this with contemporary design principles, we have created a variety of beautifully crafted products that will make a statement of enduring elegance in any room. Our fireplaces are available in a variety of materials and finishes that can be fitted with an extensive selection of fires which include options suitable for all chimney types.

All the stoves featured in the Penman Collection are Ecodesign Ready and the collection also includes a range of higher performing cast iron fireplaces. By utilising innovative manufacturing techniques, these products allow the use of some extremely efficient glass fronted and open fronted gas convector fires with more traditionally styled cast iron fireplaces.

The Penman Collection is available exclusively in the UK & Ireland with the help of our carefully selected network of retailers. For details of your nearest retailers, visit www.penmancollection.com

Pictured: Bassington Gas Stove with the Baseline Leg Option. Please see page 18 for details.





STOVES

The Penman Collection boasts an impressive range of stoves in a variety of fuel options such as wood, multifuel and gas. As well as featuring popular favourites such as the Avebury, Kassel and the Vega, it is also home of the Bassington Stove voted the Number 1 Eco Stove by The Telegraph. Our stoves offer a truly comprehensive choice for all tastes and functions.

Every stove in the Penman Collection has been expertly designed by our team of specialised designers, engineers and produced with expert craftsmanship and quality materials. Whether it's cast iron or steel, each appliance is independently assessed and tested by an accredited association to ensure you will have years of satisfaction with your purchase. All our Ecodesign Ready Stoves come with a lifetime guarantee*

Our stoves are only available through carefully selected retailers throughout the UK & Ireland. They are available to offer help and advice about choosing the right stove for you.

Pictured right: Bassington Multifuel Stove with the Standard Leg Option. Please see page 14 for details.

To locate your nearest Penman Collection dealer, please visit our website at: www.penmancollection.com/find-a-retailer/

*Subject to terms and conditions please see: www.penmancollection.com for details







READY TO BURN

Whilst we continue to develop new and enhanced products to improve efficiency and clean burning, it is the critical issue of wood fuel that plays the biggest role in the air quality solution.

Burning wet wood is inefficient as it demands a lot of heat to vaporise the water before the appliance can give out the proper level of heat to the room, hot water, or heating systems. In turn, this creates a lot of smoke which damages the chimney, blackens the appliance, and contributes to air pollution. Dry wood that has been properly sourced and seasoned means it produces fewer particulates, more heat efficiency, and less maintenance. Chimneys are less likely to block and will remain easier to sweep.

The government-backed Ready to Burn scheme is compliant with EU timber regulations and will set a benchmark for logs and other wood fuels in the UK to help with identifying wood that has been carefully chosen and ready to burn.

For more details and to find your nearest stockist visit:
www.woodsure.co.uk/are-you-ready-to-burn



ECODESIGN READY STOVES AND AIR QUALITY

Ecodesign Ready Stoves in accordance with the Governments clean air strategy are designed to reduce emissions by burning wood more efficiently taking into account the long-term environmental impact of the appliance during its whole lifecycle.

Only appliances that have been tested and verified as meeting these new limits will be able to be sold and installed legally within the UK.

The emission limits include those for Particulate Matter (PM), Organic Gaseous Compounds (OGC), Carbon Monoxide (CO) and Nitrogen Oxides (NOx).

SIA Ecodesign Ready stoves will meet the new regulation which came into force in January 2022. All of the stoves featured in the Penman Collection are Ecodesign Ready, pledging our support to a greener sustainable future in order to further reduce the impact of climate change.



CLEAN BURN

In parts of the UK the burning of smoke producing fuels is prohibited by the Clean Air Act.

We have a comprehensive range of stoves approved for use in smoke controlled areas, allowing them to burn wood and smokeless fuels in any part of the country.





AVEBURY

Multifuel Stove



ECODESIGN
READY



SUITABLE
FOR SMOKE
CONTROLLED
AREAS



MULTIFUEL
STOVE



LIFETIME
WARRANTY

A+

The highly efficient Avebury stove is Ecodesign Ready. It is extremely durable due to its cast iron construction which also helps to maximise efficiency. The large arched glass window in combination with the air wash system ensures maximum viewing of the roaring flames. This stove is suitable for use in smoke controlled areas when burning wood or smokeless fuels and meets the 2022 Ecodesign criteria.

Shown with the Teramo in Agean Limestone.

NOMINAL OUTPUT & RANGE: 5.0kW (2.5kW-8.0kW)
EFFICIENCY: Up to 84%

Mantel: Teramo in Agean Limestone, Chamber: Grey Ceramic Brick Bond, Hearth: Cube Tiled



AVEBURY

Gas Stove



GAS STOVE

Remote

D

Manual

E

Building on the success of the Avebury Multifuel stove, the Avebury Gas has been designed and manufactured in the UK and offers an ultra-realistic ceramic log fuel bed, available in either manual or remote control in both natural gas and LPG options.

NOMINAL OUTPUT & RANGE: Natural Gas 4.7kW / LPG 4.4kW

EFFICIENCY: Up to 79%



BASSINGTON

Multifuel Stove | Available in Black (with Grande, Skirted, Baseline or Standard Legs) and Warm White (with Skirted, Baseline or Standard Legs)



ECODESIGN
READY



SUITABLE
FOR SMOKE
CONTROLLED
AREAS



MULTIFUEL
STOVE



LIFETIME
WARRANTY

A+

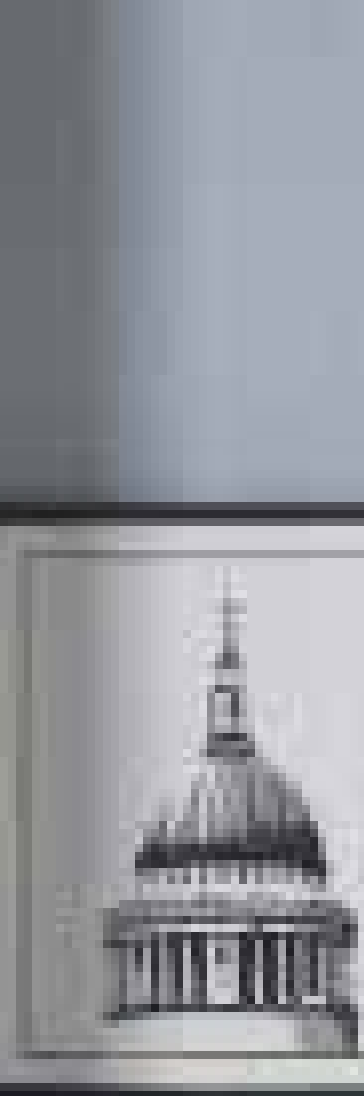
Not only is the Bassington one of the cleanest burning stoves on the market, it is designed to offer three different leg options allowing you to tailor make the perfect stove to suit your taste. See pages 16 and 17 to see the examples of the alternative leg options.

The Bassington stove is Ecodesign Ready and is suitable for use in smoke controlled areas when burning wood or smokeless fuels.

NOMINAL OUTPUT & RANGE: 5.0kW (2.5kW-8.0kW)
EFFICIENCY: 84%

Shown with Grande Leg Option







D

Remote

E

Manual



BASSINGTON

Gas Stove | Available in Black or Warm White (with either Skirted, Baseline or Standard Legs)



Building on the success of the Bassington Multifuel stove, the Bassington Gas has been designed and manufactured in the UK and offers an ultra-realistic ceramic log fuel bed, available in either manual or remote control in both natural gas and LPG options. The new Bassington Gas stove is available in black or warm white enamel with the choice of three leg options. See pages 20 and 21 to see the examples of the alternative leg options.

The Bassington Gas is one of the most realistic gas stoves on the market, it has been designed by our team of specialist designers and engineers and produced with expert craftsmanship with quality materials and independently assessed and tested in the UK by Kiwa Gastec.

OUTPUT: NATURAL GAS 4.9kW / LPG 4.4kW EFFICIENCY: 79%

Main Image: Bassington Gas Stove Black with Standard Leg Option, Chamber: Staggered Oyster Slate, Hearth: Diamond Quarry Black & Red, Beam: Dark Geocast featuring Small Decorative Brackets







BASSINGTON E-STOVE

Electric Stove | Available in Black



Features:

- Realistic flame effect that can be operated with or without heat function.
- Dynamic fuel bed featuring realistic logs.
- Easy to use remote control handset.
- Easy to use App, controlled via your smart device.
- 9 flame effect colour options.
- 9 fuel bed colour options.
- 'Favourite' mode to save your preferred flame/fuel bed settings.
- 2 heat settings - 0.9kW & 1.8kW.
- Cool blow function.
- Thermostatic control.
- Hourly timer mode.
- 7-day programmable timer with adaptive smart heating.
- Open window detection mode for optimised energy efficiency.
- Option for ambient Chamber lighting kit.
- Concealed heater position.
- Cast Aluminium components for authentic feel.
- Eco Button

The Bassington-E uses cutting edge technology and innovation to provide instant heat, realistic flames, and adaptive ambiance to your living space to bring you the most authentic electric stove available on the market.

Combining functionality with applied smart technology to create the ultimate home heating experience. With a Bassington-E electric stove, you are in control of every aspect of your appliance, from the speed, colour, and brightness of the entrancing flames to the enchanting crackling sounds of burning logs, or the complementing ambient lighting of your extended living space.

Coppice Real Log upgrade available on this appliance the definitive upgrade for your Bassington Electric Stove. Offering the ultimate in realism, this hand-crafted piece uses specially selected, natural logs to create an authentic latticed fuel bed, complete with forest floor embers.



A+



ECODESIGN
READY



SUITABLE
FOR SMOKE
CONTROLLED
AREAS



MULTIFUEL
STOVE



LIFETIME
WARRANTY

BASSINGTON COMPACT

Multifuel | Available in Black (with Skirted, Baseline or Standard Legs)



The Bassington Compact takes all the styling cues from the Bassington Eco boasting all the same features. Combining stunning design with the latest in emission-reducing technology, to create one of the cleanest burning stoves available. Not only is the Bassington Compact one of the cleanest burning stoves on the market, but it is also designed to offer three different leg options allowing you to tailor make the perfect stove to suit your taste. See pages 26 and 27 to see the examples of the alternative leg options.

NOMINAL OUTPUT & RANGE: 5kW
EFFICIENCY: Up to 82.5%

Mantel: hamber: Zamora, Hearth: Meystone, Beam: Heritage







BASSINGTON COMPACT

Gas Stove | Available in Black (with Skirted or Standard Legs)



D

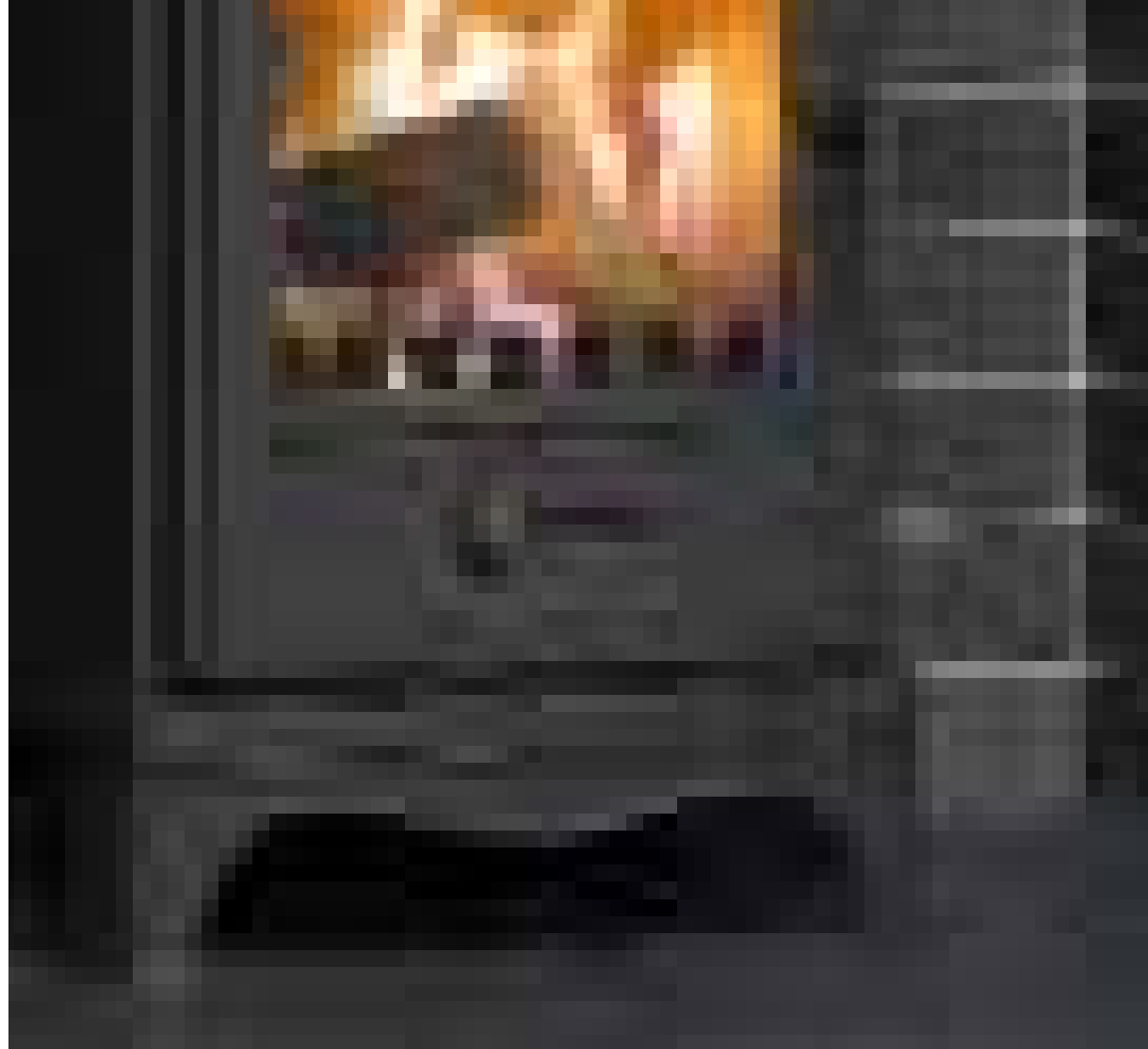
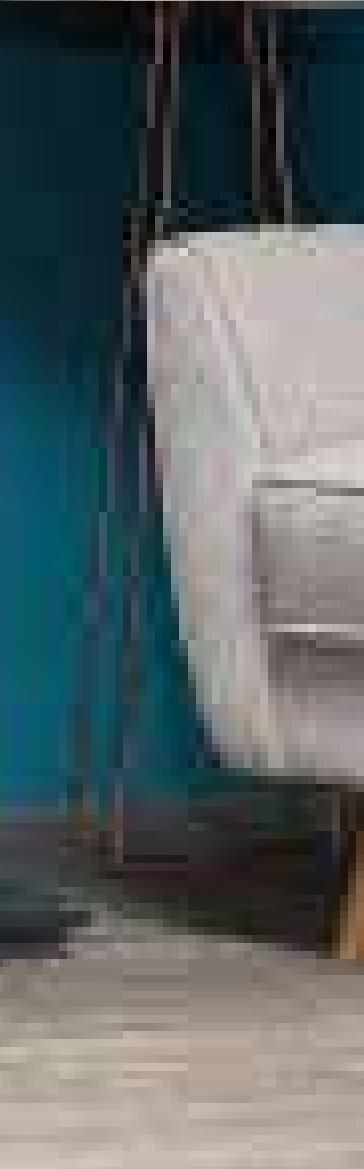
Building on the success of the Bassington Compact Multifuel stove, the Bassington Compact Gas has been designed and manufactured in the UK and offers an ultra-realistic ceramic log fuel bed, available in either manual or remote control in both natural gas and LPG options.

The Bassington Gas is one of the most realistic gas stoves on the market, it has been designed by our team of specialist designers and engineers and produced with expert craftsmanship with quality materials and independently assessed and tested in the UK by Kiwa Gastec. The Bassington Compact Gas stove is available with the choice of two leg options; Standard and Skirted. Please see page 30 for an example of the Skirted Leg Option.

NOMINAL OUTPUT & RANGE: Natural Gas 3.8kW / LPG 3.75kW EFFICIENCY: Up to 81%

Stove: Bassington Compact Gas with Standard Legs, Hearth: Tapestry, Chamber: Navarra. Beam: Dark Oak Effect Beam







KIRKHAM

Multifuel Stove



ECODESIGN
READY



SUITABLE
FOR SMOKE
CONTROLLED
AREAS



MULTIFUEL
STOVE



LIFETIME
WARRANTY

A+

The Kirkham combines stunning design with the latest in emission-reducing technology, to create one of the cleanest burning stoves available. Whilst innovative engineering has ensured emission levels that are far below Ecodesign 2022 requirements, particular attention to aesthetic detail has resulted in a timeless classic that is built for modern living.

NOMINAL OUTPUT & RANGE: 5.0kW
EFFICIENCY: Up to 82.5%



KIRKHAM

Gas Stove



GAS STOVE

D

The Kirkham Gas stove has been designed and manufactured in the UK and offers an ultra-realistic ceramic log fuel bed, available in either manual or remote control in both natural gas and LPG options.

The Kirkham Gas is one of the most realistic gas stoves on the market, it has been designed by our team of specialist designers and engineers and produced with expert craftsmanship with quality materials and independently assessed and tested in the UK by Kiwa Gastec.

NOMINAL OUTPUT & RANGE: Natural Gas 3.8kW / LPG 3.75kW
EFFICIENCY: 81%

Mantel: Allora in Nero Marble, Chamber: Dove Grey, Hearth: Natural Slate



KIRKHAM ECO MAX

Multifuel Stove



ECODESIGN
READY



SUITABLE
FOR SMOKE
CONTROLLED
AREAS



MULTIFUEL
STOVE



LIFETIME
WARRANTY

A+

With an output of up to 5kW, the Kirkham Eco Max takes all the styling cues from the smaller Kirkham Eco to create this impressive mid-size stove. It boasts all the same innovative features such as the oversized viewing window, responsive controls, double-pass baffle system and a unique heat exchange system that preheats the air to allow for cleaner burning. This stove is suitable for use in smoke-controlled areas when burning wood or smokeless fuels.



AURUS

Cylindrical Wood Burning Stove



ECODESIGN
READY

A+

Designed with German engineering and expertise. Featuring a brushed vertical handle running the height of the door, this stove sets itself apart from the crowd with detailing like no other.

OUTPUT: 5.0kW
EFFICIENCY: 82%



A+



ECODESIGN
READY



SUITABLE
FOR SMOKE
CONTROLLED
AREAS

KASSEL

Cylindrical Wood Burning Stove



Designed with German engineering and expertise, the Kassel sets itself apart from the crowd. The Kassel is a contemporary cylindrical wood burning stove which features a log storage area and a direct air supply.

OUTPUT: 5.0kW
EFFICIENCY: 80.5%

COMFORT CONTROL

Air control dial, unique to the Lünen model



A+



ECODESIGN
READY



SUITABLE
FOR SMOKE
CONTROLLED
AREAS

LUNEN

Cylindrical Wood Burning Stove



Designed with German engineering and expertise. With the brushed vertical handle running the height of the door, this stove sets itself apart from the crowd, with detailing like no other.

OUTPUT: 5.0kW
EFFICIENCY: 82%



A



ECODESIGN
READY



SUITABLE
FOR SMOKE
CONTROLLED
AREAS



MULTIFUEL
STOVE



LIFETIME
WARRANTY

PANAMERA

Multifuel Stove



The beautifully designed Panamera stove is Ecodesign Ready, and is suitable for use in smoke controlled areas when burning wood or smokeless fuels. The simple yet elegant design is ideal for contemporary interiors. The curved door profile adds a sense of sophistication to any home.

OUTPUT: Up To 4.8kW
EFFICIENCY: Up To 84%

*Right Image: Beam: Stone, Chamber: Lucena, Hearth: Porcelain Slate Tile, Stove: Panamera Multifuel,
Left Image: Stove: Panamera with optional log store, Hearth: Teardrop*



SAVONA INSET

Inset Stove



ECODESIGN
READY



SUITABLE
FOR SMOKE
CONTROLLED
AREAS



MULTIFUEL
STOVE



LIFETIME
WARRANTY

A+

This elegantly styled stove is capable of burning a wide variety of different fuels. Although this may look like an ordinary fireplace, it is a full depth stove with opening door and ample room to burn logs.

This stove is suitable for use in smoke controlled areas when burning wood or smokeless fuels and meets the 2022 Ecodesign criteria.

OUTPUT: Up To 4.8kW
EFFICIENCY: Up To 85%

Main Image: Stove: Savona Inset Stove with 4 Sided Trim and thumbnail (right) shown with 3 Sided Trim, Slip Set: Bespoke Polished Granite, Hearth: Polished Granite



A+



ECODESIGN
READY



SUITABLE
FOR SMOKE
CONTROLLED
AREAS



MULTIFUEL
STOVE



LIFETIME
WARRANTY

VEGA EDGE 200SL

Multifuel Stove | Available in Black or Warm White



When you want to enjoy the presence of a large stove but may not have the room size to accommodate such a high heat output then the Vega Edge 200SL is perfect for you.

This stove maintains all of the impressive stature and features of the Vega Edge 200 but the reduced depth allows for a lower heat output of up to 8kW. This stove is suitable for use in smoke controlled areas when burning wood or smokeless fuels and meets the 2022 Ecodesign criteria. Pictured here in Warm White, also available in Black.

NOMINAL OUTPUT & RANGE: 5.0kW (2.5kW-8.0kW)
EFFICIENCY: Up To 84%

VEGA B7 BALANCED FLUE:

FUEL	GAS	LPG
OUTPUT	UP TO 5.4KW	UP TO 5.2KW
EFFICIENCY	UP TO 75%	UP TO 68%
FLUE SIZE	100-150MM CONCENTRIC	100MM-150MM CONCENTRIC
FLUE EXIT	TOP	TOP

B

VEGA C7 CONVENTIONAL FLUE:

FUEL	GAS	LPG
OUTPUT	UP TO 4.53KW	UP TO 4.7KW
EFFICIENCY	UP TO 65%	UP TO 68.6%
FLUE SIZE	100MM	100MM
FLUE EXIT	TOP	TOP

D



VEGA B7/C7

*Gas Stove | Available in Balanced Flue
& Conventional Flue*





The Vega B7 and C7 gas stoves are ideal for installation into almost any type of home. Manufactured in high quality cast iron and utilising an efficient, remote controlled gas engine, this stove can be responsively controlled from the comfort of your armchair.

The high definition ceramic logs provide the perfect finish creating a truly authentic look. The B7 is a balanced flue stove meaning there is no requirement for a chimney.



CHAMBERS, HEARTHS & TILES

Our extensive range of chambers offer a very simple solution to create the perfect fireplace opening when installing your stove. With a variety of materials to choose from including natural stone and real bricks, there is certainly a chamber here to suit all tastes.





STEEL GREY BRICK BOND CHAMBER



STEEL GREY HERRINGBONE CHAMBER



ANDALUSIA CHAMBER



URBAN DUSK CHAMBER



URBAN DUSK HERRINGBONE CHAMBER



SANTIAGO CHAMBER



ICED GREY CHAMBER



ICED GREY HERRINGBONE CHAMBER



ZAMORA CHAMBER



HIGHLAND RED BRICK
BOND CHAMBER



HIGHLAND RED HERRINGBONE
CHAMBER



SORIA CHAMBER



NAVARRA CHAMBER



LUCENA CHAMBER



ANDINA CHAMBER



PLATINUM CHAMBER



PARCHMENT CHAMBER



ATOLL CHAMBER



BLACK STAGGERED
SLATE BLOCK CHAMBER



GREY WHITE STAGGERED
SLATE CHAMBER



DOVE GREY CHAMBER



SLATE STAGGERED OYSTER
BLOCK CHAMBER



OLIVE SLATE WATERFALL
CHAMBER



CHARCOAL SLATE
WATERFALL CHAMBER



PORCELAIN SLATE
BRICK BOND CHAMBER



PORTUGUESE LIMESTONE
BLOCK CHAMBER



VERMICULITE REEDED
CHAMBER



RUSTIC GREY BRICK
CHAMBER



RUSTIC BRICK CHAMBER



RUSTIC HERRINGBONE
BRICK CHAMBER



RUSTIC BRICK CHAMBER
WITH FRONT RETURNS & ARCH



RUSTIC BRICK CHAMBER
WITH FRONT RETURNS (NO ARCH)

CHAMBER TRIM KIT

Our Chamber Trim Kit is a simple, elegant design to create a neat finish to any chamber installation. Simple to fix and the trim can be cut to size to fit any opening, available in black or stainless steel.



SLATE SPLIT FACE TILES



WHITE/GREY SPLIT FACE PANEL



BLACK SPLIT FACE PANEL



OYSTER SPLIT FACE PANEL



DOVE GREY SPLIT FACE PANEL



OLIVE WATERFALL SPLIT
FACE PANEL



CHARCOAL WATERFALL SPLIT
FACE PANEL

CERAMIC CORNER TILES



NAVARRA



ANDALUSIA



ZAMORA



LUCENA



SANTIAGO



SORIA

CERAMIC TILES



NAVARRA



ANDALUSIA



ZAMORA



LUCENA



SANTIAGO



SORIA



ANDINA



PLATINUM



PARCHMENT



ATOLL



HIGHLAND RED



ICED GREY



URBAN DUSK



STEEL GREY

FARMHOUSE HEARTHS

Inspired by country style decor and living, this textured limestone with its appearance of slate is warm and cosy in appearance but strong and robust in character. Honed with chiselled edges, it is blue grey in colour and looks rustic and antique in appearance. Strive to create something a little more interesting! When it comes to the layout of your hearth, you can get much more striking design with these modular multi sized pieces enabling you to produce a modular design to your specifications. With a variety of different size options for front and back hearths to suit most fireplace requirements, it's a fantastic alternative to traditional granite or slate.

All Farmhouse products are sold as individual components. Your retailer will be able to advise what best suits your requirements.



EXAMPLES OF HOW COMPONENTS FIT TOGETHER



CERAMIC HEARTH TILES



HIGHLAND RED



URBAN DUSK



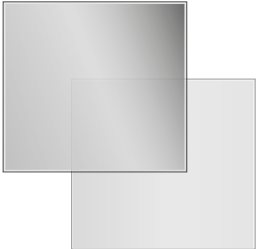
ICED GREY



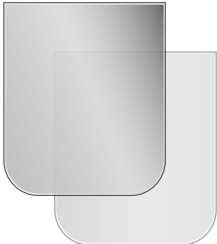
STEEL GREY

GLASS & GRANITE HEARTHES

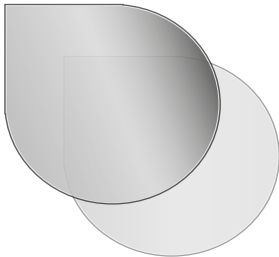
We offer a variety of hearths in many shapes and sizes which are suitable for use with all fuel types. With such a varied range, we make it easy for you to create a truly unique fireplace. Please consult with your nearest Penman Collection retailer to determine the correct hearth specification for you.



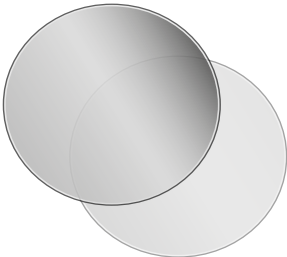
SQUARE



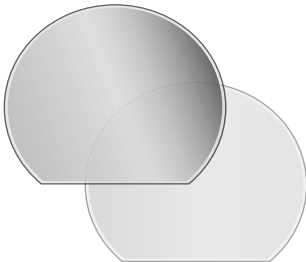
SEMI CIRCLE



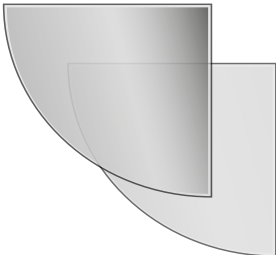
TEARDROP



CIRCULAR*



TRUNCATED



QUADRANT*

*AVAILABLE IN GLASS ONLY



HIGHLAND RED TILED HEARTH



URBAN DUSK TILED HEARTH



ICED GREY TILED HEARTH



STEEL GREY TILED HEARTH



PORTUGUESE LIMESTONE HEARTH



MEYSTONE HEARTH



GRAPHITE/CHARCOAL SLATE TILE HEARTH



NATURAL SLATE HEARTH



PORCELAIN BLACK SLATE TILE HEARTH



GRANITE HEARTH



TAPESTRY TILED HEARTH



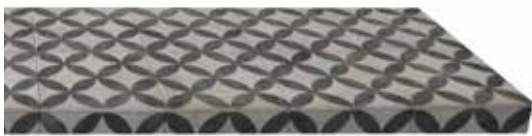
HARLEQUIN TILED HEARTH



DIAMOND QUARRY BLACK/WHITE HEARTH



DIAMOND QUARRY BLACK/RED HEARTH



STAR TILED HEARTH



CUBE TILED HEARTH



LIGHT GREY HEARTH



ANTHRACITE HEARTH

A close-up, diagonal view of a wooden beam. The wood grain is highly detailed, showing natural knots and variations in tone from light tan to dark brown. The lighting is soft, highlighting the texture of the wood. The background is a solid, muted blue-grey color.

BEAMS

We offer a selection of fireplace beams made from either natural or man-made materials. The realistic oak effect fireplace beams now look even more realistic than ever before and are available in various finishes and sizes. Our light and dark oak geocast beams are also available with or without downlights. They are lightweight and moulded from three separate natural oak beams. The material is composed of natural inorganic minerals which is non-toxic and unburnable offering many advantages over wooden beams.



48" DARK OAK TIMBER EFFECT BEAM



48" GREY OAK TIMBER EFFECT BEAM



48" LIGHT OAK TIMBER EFFECT BEAM



48" & 54" RUSTIC DARK OAK



48" & 54" RUSTIC NATURAL OAK



48" HERITAGE BEAM



42", 48" & 54" DARK GEOCAST OAK BEAM



42", 48" & 54" LIGHT GEOCAST OAK BEAM



48" & 54" CONTEMPORARY BEAM



48" STONE BEAM



48" & 54" DARK GEOCAST OAK BEAM WITH LIGHTS



48" & 54" LIGHT GEOCAST OAK BEAM WITH LIGHTS



SMALL DECORATIVE BEAM BRACKET



LARGE DECORATIVE BEAM BRACKET

TECHNICAL INFORMATION

REVISED	
No.	D.

ALL DESIGN
& DRAWINGS

APPROVED:

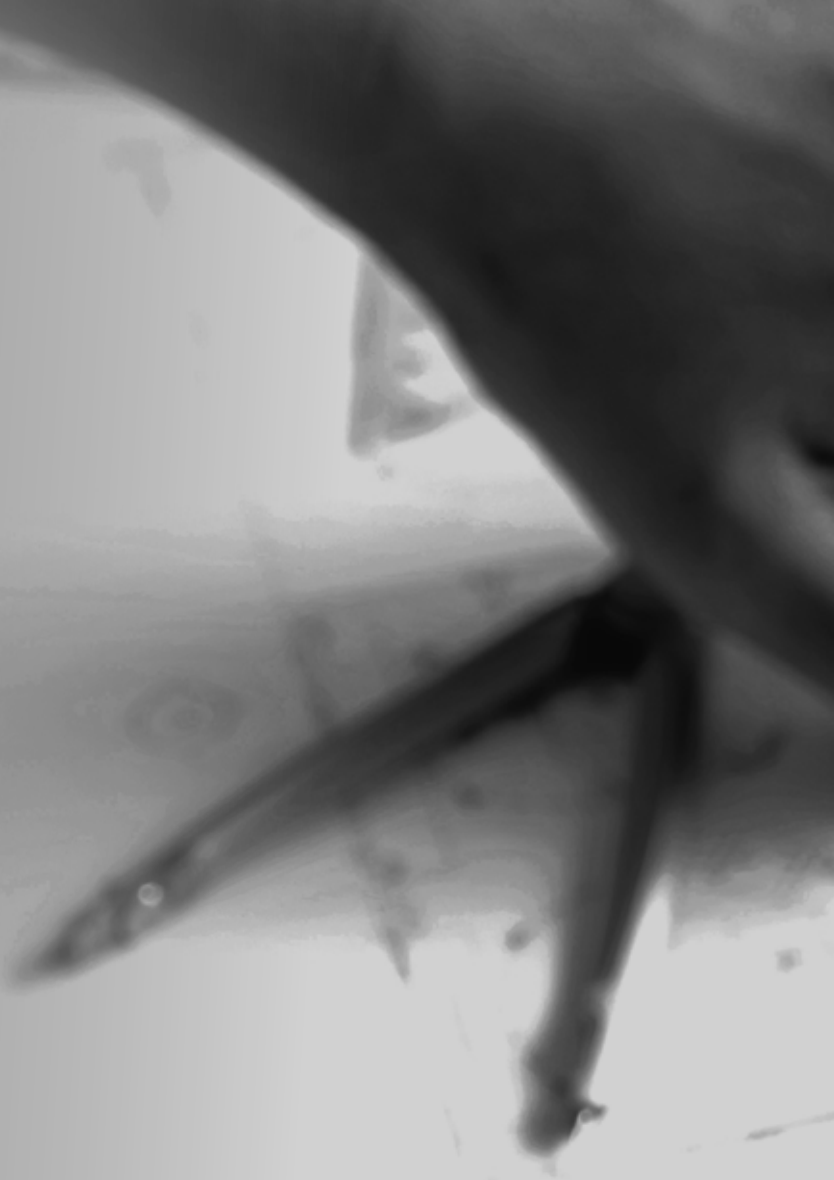
CHECKED:

BY: ENG

DATE:

SCALE:

PROJECT:





CHIMNEY TYPES

Once you have chosen your perfect fireplace it's time to decide on what type of fire best suits your needs. The first thing to do before making your decision is establish your chimney type. Your type of chimney will determine which fires are suitable for your particular application. The table below details each of our fires, their respective fuel sources and chimney type compatibilities.



CLASS 1

Commonly in older houses, earlier than 1960. The Class 1 chimney is identifiable by 7" (180mm) or greater diameter flue. The existing chimney must be structurally sound, please check before the installation of a new fireplace.



CLASS 2

Either an older house where the existing chimney has been lined by a proprietary steel flue or a newer house with a steel flue built in. This chimney type is identifiable by a 5" (130 mm) diameter flue and a steel flue terminal.



PRE-CAST FLUE

Modern houses generally later than 1960 often have a pre-cast concrete chimney system, identifiable by a rectangular box section flue and a terminal, as illustrated in the picture.



NO CHIMNEY

Modern houses often have no chimney. You can use a modern decorative electric fire, either with no heat for aesthetics or an efficient fire with up to 2kW heat output.

FIRE TYPE	CLASS 1 CHIMNEY	CLASS 2 CHIMNEY	PRE CAST	NATURAL GAS	LPG	NO CHIMNEY REQUIRED
GAS STOVES	✓	✓	×	✓	✓	✓*
SOLID FUEL STOVES	✓	×	×	N/A	N/A	✓**
ELECTRIC STOVES	✓	✓	✓	N/A	N/A	✓

* Selected products available in balanced flue options

** Can be installed to a twin wall flue system

Please note, this information is provided as a guide. Please check the appliance instructions for details of the installation requirements.

STOVE INFORMATION

STOVE MODEL	LINER SIZE (OD - INCH)	FLUE Ø (OD - MM)	TOP FLUE	REAR FLUE	EFFICIENCY (UP TO)	OUTPUT (UP TO)	FUEL TYPE	ERP
AVEBURY MF	5	125	✓	✓	84%	2.5-8.0KW†	MULTI*	A+
AVEBURY NAT GAS	4/5	125	✓	×	79%	4.9KW	NAT GAS	E
AVEBURY LPG	4/5	125	✓	×	79%	4.4KW	LPG	E
BASSINGTON COMPACT MF	5	125	✓	✓	82.5%	5.0KW	MULTI*	A+
BASSINGTON COMPACT NAT GAS	4/5	125	✓	×	81%	3.8KW	NAT GAS	D
BASSINGTON COMPACT LPG	4/5	125	✓	×	81%	3.7KW	LPG	D
BASSINGTON E	N/A	N/A	N/A	N/A	100%	0.9-1.8KW	ELECTRIC	N/A
BASSINGTON ECO MF	5	125	✓	✓	84%	2.5-8.0KW†	MULTI*	A+
BASSINGTON NAT GAS	4/5	125	✓	×	79%	4.9KW	NAT GAS	E
BASSINGTON LPG	4/5	125	✓	×	79%	4.4KW	LPG	E
KIRKHAM MF	5	125	✓	✓	82.5%	5.0KW	MULTI*	A+
KIRKHAM ECO MAX	5	125	✓	×	86%	5KW	MULTI*	A+
KIRKHAM NAT GAS	4/5	125	✓	×	81%	3.8KW	NAT GAS	D
KIRKHAM LPG	4/5	125	✓	×	81%	3.7KW	LPG	D
AURUS	5	125	✓	✓	82%	5.0KW	WOOD	A+
KASSEL	5	125	✓	✓	80.5%	5.0KW	WOOD	A+
LÜNEN	5	125	✓	✓	82%	5.0KW	WOOD	A+
PANAMERA	5	125	✓	✓	84%	4.8KW	MULTI*	A
SAVONA INSET	5	125	✓	×	85%	4.8KW	MULTI*	A+
VEGA B7 NAT GAS	4^	100/150#	✓	×	75%	5.4KW	NAT GAS	B
VEGA B7 LPG	4^	100/150#	✓	×	68%	5.2KW	LPG	B
VEGA C7 NAT GAS	4	125	✓	×	65%	4.53KW	NAT GAS	D
VEGA C7 LPG	4	125	✓	×	68.6%	4.7KW	LPG	D
VEGA EDGE 200SL/W	5	125	✓	✓	84%	2.5-8.0KW†	MULTI*	A+

Due to manufacturing processes, all measurements are approximate but may vary slightly. Please allow for a tolerance of plus or minus 12mm. It is essential that your stove is installed in accordance with Building Regulations and any other standard requirements by a competent person with experience in fitting fireplaces - your retailer will be able to help you select an appropriately qualified installer.

* Only wood and smokeless fuels may be used in smoke controlled areas.

Concentric flue required for balanced flue stoves. See your nearest dealer for more information.

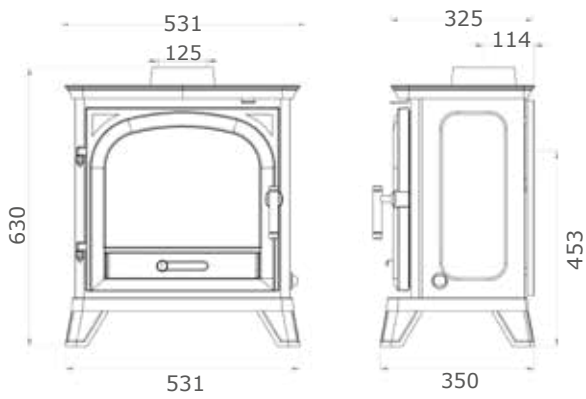
† See stove output range below

^ If fitted with renovation kit

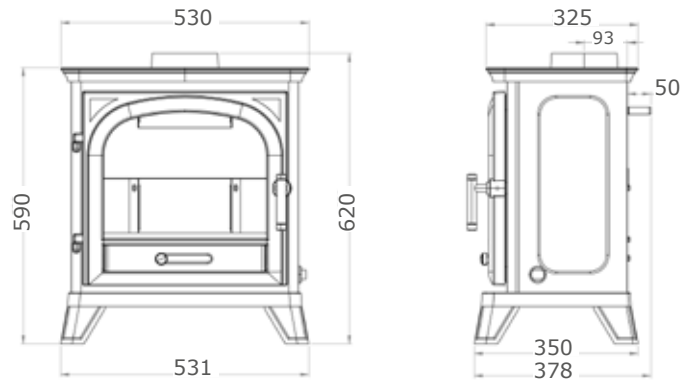
†* A range of outputs for this stove has been quoted. The stove is tested and approved at 5kW at an independent laboratory. It is possible to burn the stove at outputs within the range specified. If it is intended to burn this stove at outputs over 5kW, then permanent external ventilation is required in accordance with Document J of the Building Regulations – please seek guidance from your retailer.

STOVE DIMENSIONS

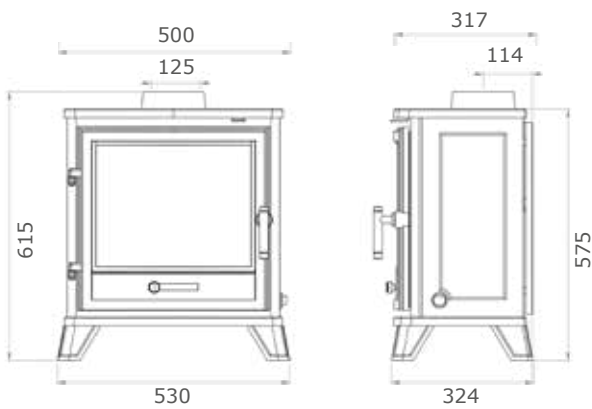
AVEBURY



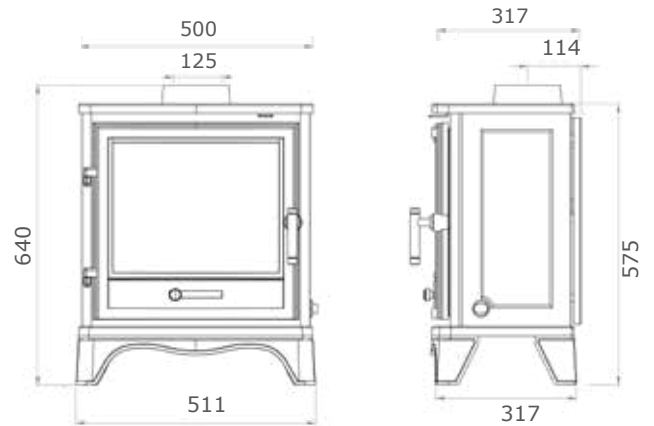
AVEBURY GAS



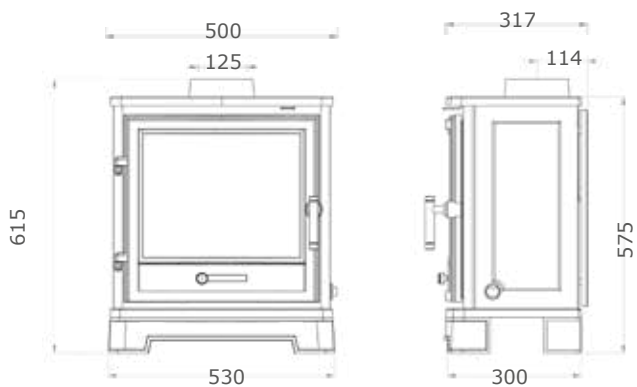
BASSINGTON STANDARD LEG (MULTIFUEL/GAS)



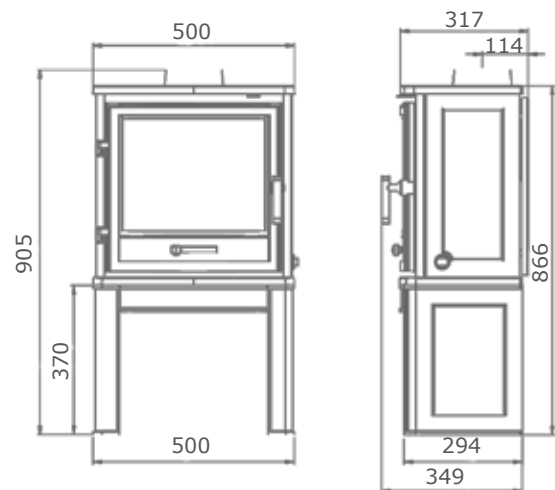
BASSINGTON SKIRTED LEG (MULTIFUEL/GAS)



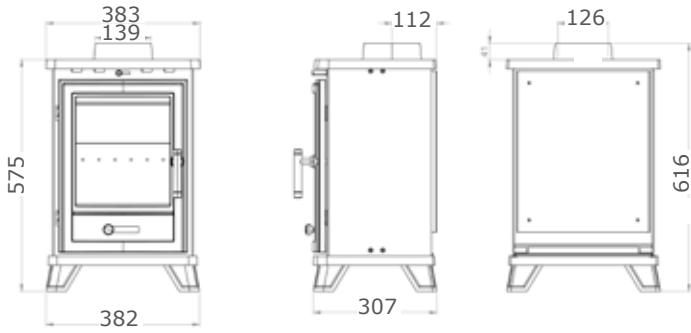
BASSINGTON BASELINE LEG (MULTIFUEL/GAS)



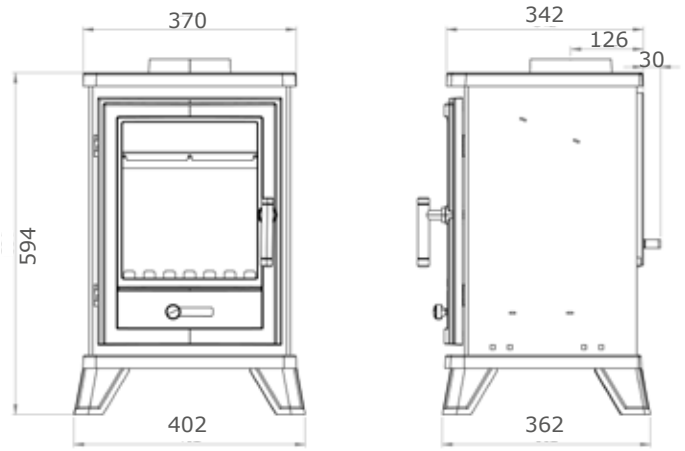
BASSINGTON (GRANDE LEG)



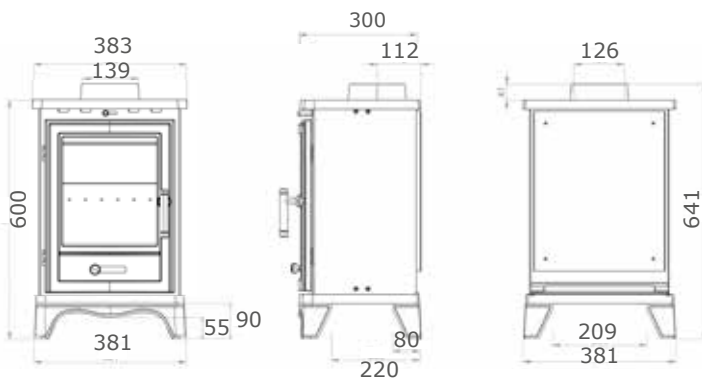
BASSINGTON COMPACT MULTIFUEL STANDARD LEG



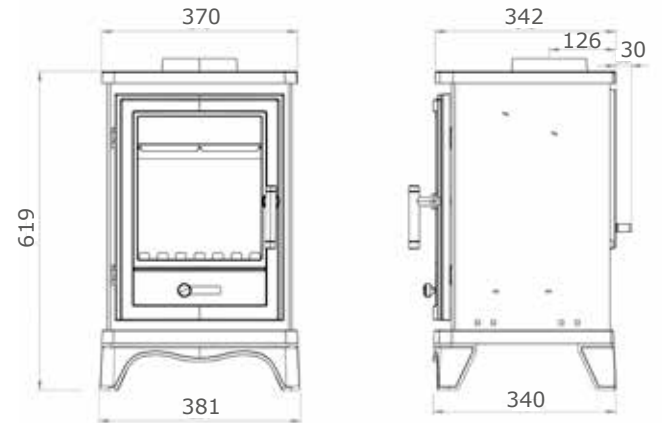
BASSINGTON COMPACT GAS STANDARD LEG



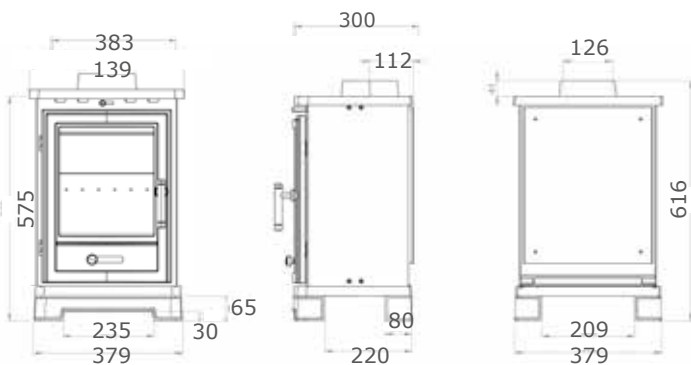
BASSINGTON COMPACT MULTIFUEL SKIRTED LEG



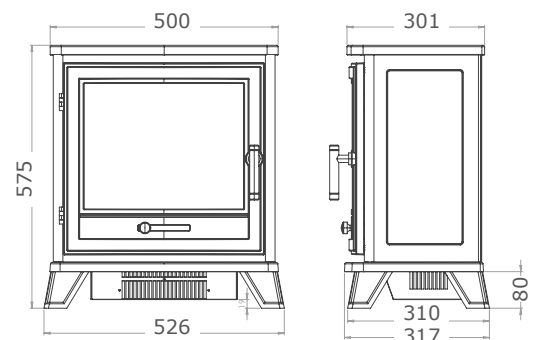
BASSINGTON COMPACT GAS SKIRTED LEG



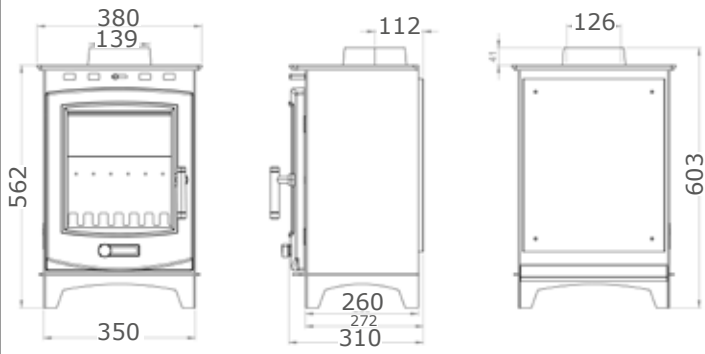
BASSINGTON COMPACT MULTIFUEL BASELINE LEG



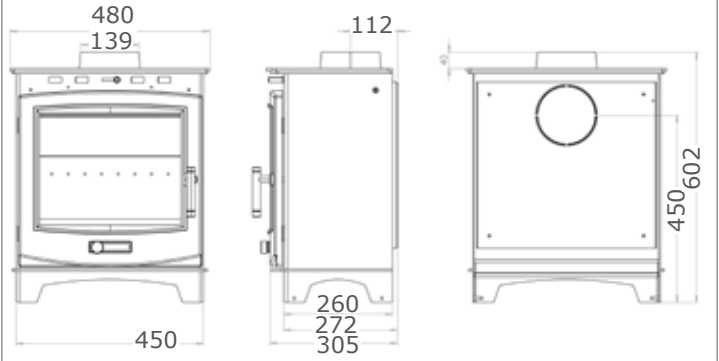
BASSINGTON E



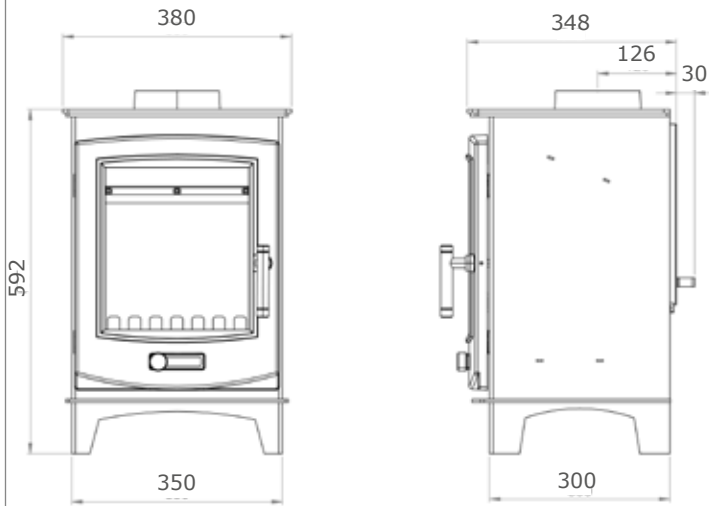
KIRKHAM



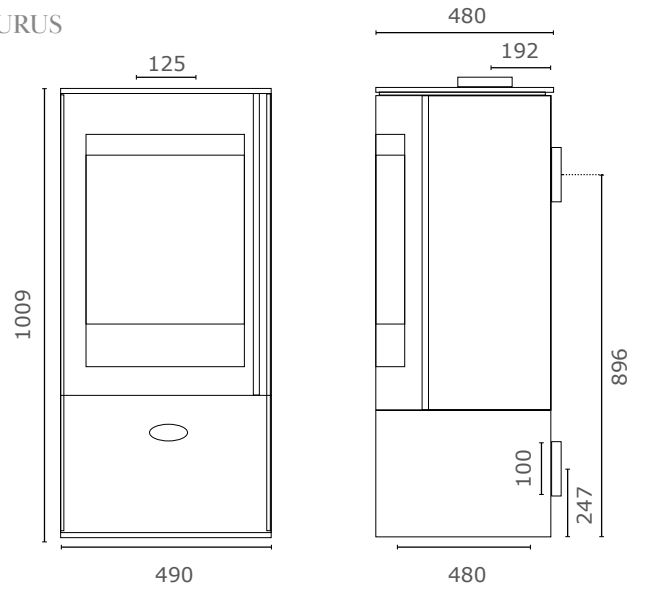
KIRKHAM ECO MAX



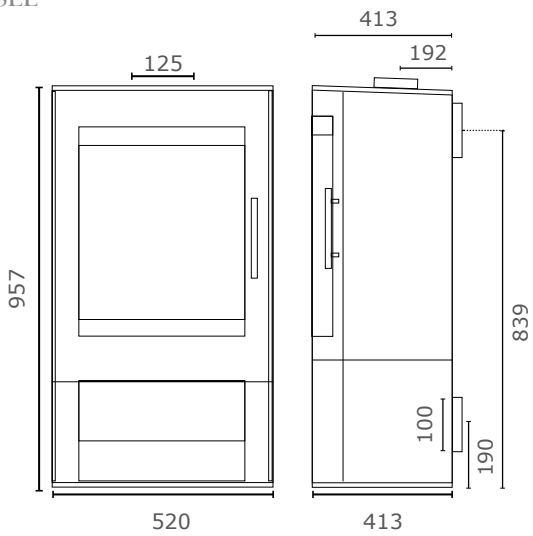
KIRKHAM GAS



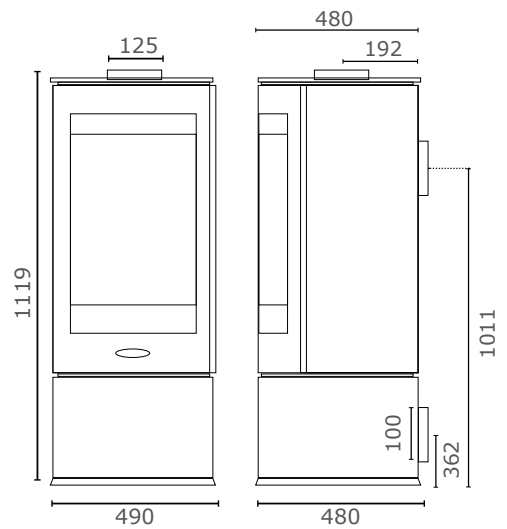
AURUS



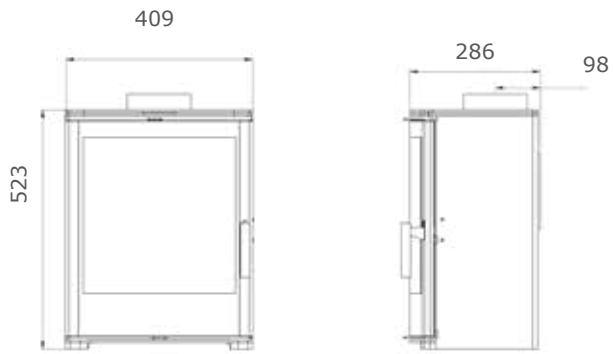
KASSEL



LÜNEN



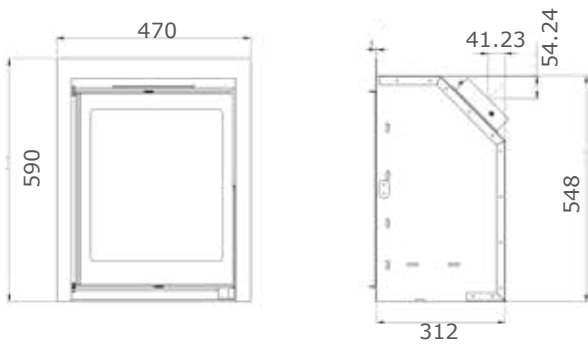
PANAMERA



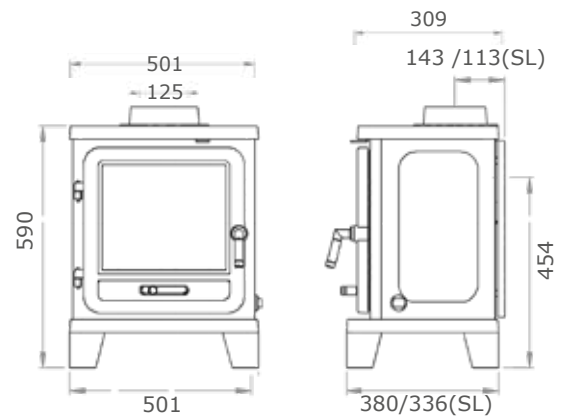
PANAMERA SUPREME (LOGSTORE)



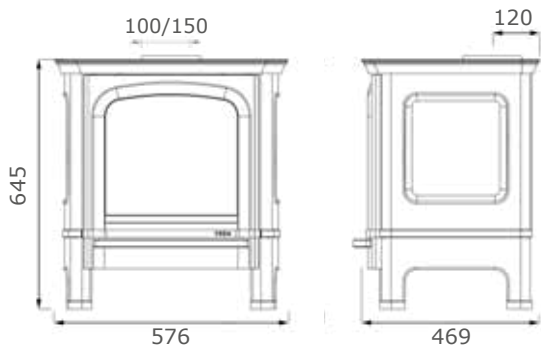
SAVONA INSET



VEGA EDGE 200SL / 200SLW



VEGA B7 / C7



AFTERCARE & MAINTENANCE



CAST IRON

All the cast iron products are delivered with a protective, oil-based coating on polished surfaces. This should be cleaned off during the installation. It is recommended that a spray-type oil is applied from time to time in order to avoid surface rust appearing. Ensure that the room in which the cast iron product is being installed is thoroughly dry. For example recently plastered walls cause high levels of moisture in the atmosphere and, as a result, rust is likely to occur. Under no circumstances should a water-based cleaner or polish be used to clean cast iron products.

It is your responsibility to burn smoke free fuels if you live in a smoke free zone. There are some very high temperature burning fuels which can cause damage to any fireplace. Please refer to the Solid Fuel Association (www.solidfuel.co.uk) recommendations and use an approved coal merchant as your supplier.

No responsibility can be accepted if high temperature fuels have been used or if there is excessive draft. If in doubt we recommend the use of a clay fire back. Clean ash away regularly as a build up beneath the fire will cause the grate to burn out quickly. The grate is a consumable part of your fire and will need replacement from time to time, depending on the frequency and burning temperature of your fires.

CERAMIC FUEL BEDS

When using ceramic fuel beds, ensure that these do not touch any of the polished surfaces in order to minimise the risk of thermal discolouration. The ceramic black and graphite products are coated with a high temperature paint and during their natural burning lifecycle eventually the paint can burn off, exposing the raw material. To restore the finish a proprietary, high temperature paint can be used to re-coat the product and this paint is available from your local retailer.

MARBLE

Marble & Micro Marble has a surface that is extremely durable however liquids which have a strong acidic content for example citrus juices may attack and discolour the surface therefore care must be taken with any spillages of this nature. In order to maintain its subtle shine and appearance, occasionally spray with a general household polish and buff with a soft dry cloth. Do not use any bleach or abrasive cleaning agents, as these could damage the surface or dull the appearance of the material.

LIMESTONE

Limestone is a naturally porous sedimentary rock, therefore it is important not to spill any liquid types especially liquids of colour as these can often leave a prominent stain. In the event of a spillage, our best advice would be to contact our technical team for guidance. In the event of any damage occurring by way of a chip or a minor scratch then a fine wet and dry sandpaper can be applied with care in order to achieve the best results.

Limestone products, once installed and dry should be cleaned and sealed where necessary using Gallery Collection aftercare products. Your installer should carry out the initial sealing where applicable.

The stone mantels pictured are manufactured from 100% natural material. As such the mantel you will purchase will be unique due to the inevitable variations in fossil formation, veining and colour. This is one of the great attractions of 100% pure natural products. Please be aware that small fossils and variations in the limestone are part and parcel.

GRANITE

Marble and granite hearths are a beautiful investment and as such require regular maintenance and care to continue looking its best. Care must be taken when lighting candles to avoid spilling wax on the surface and the hearth must be protected when placing tea lights. Our best advice is to clean up any spillages as soon as they happen, as the porous surface of a granite or marble can mean that stains can happen quickly, therefore it's important to remember to soak up a spill with a clean dry cloth or sponge whenever they happen. By wiping the surface down with a warm damp cloth and then use a soft dry cloth to buff to a shine depending on the finish, when you're tidying your home, will enable you to keep it looking pristine.

CLEANING

When cleaning the outer body of your gas/wood burning or multifuel stove, we do not recommend the use of any sprayed cleaning products, including water. We also do not recommend the use of a wet/damp cloth or rag to wipe away dust or ash, as this can also cause small areas of corrosion and rusting formations. Care should also be taken not to have any overspray on the body of the stove, when cleaning the glass with any spray glass cleaner product. Unfortunately, rust and corrosion can sometimes happen when the stove is not used frequently, continuously exposed to water, moisture and oxygen combined. In all instances this natural process of oxidation can occur with all ferrous metaled stoves. When dusting and removing settlements of ash, we would only recommend the use of a soft bristle brush, or a dry microfibre cloth is used to keep the stove looking in the best possible condition. If marks are left from deposits of ash, then the gallery black grate polish can be applied to restore the area to its natural state.

GENERAL

All the gas fires we supply are tested in accordance with CE requirements and are CE marked. Due to the manufacturing processes all measurements are approximate and may vary slightly so allow for a tolerance of plus or minus 12mm.

In order to achieve some of the colour options, we plate the products using a variety of manufacturing processes. When we state that a product is “Antique Brass finish” or “Chrome finish” there is no intention to mislead. The products are not brass or chrome respectively, they are simply plated to give that effect.

The colours shown in the brochures are as accurate as possible, but if the colour you require is critical then please consult your retailer before basing all your decisions on the colours shown here.

Your home may have a chimney type which will allow you to choose any of the fireplaces shown in the brochures. However, please consult the selection charts in the brochures and if you are not clear please consult your HETAS or GAS SAFE REGISTER (Board Gais in ROI) registered installer or your retailer.

In the unlikely event that there is a defect in any of the products shown in this brochure, then a replacement will be supplied without hesitation. Of course, this requires the products to be fully inspected prior to installation as no responsibility for re-fitting or redecoration can be accepted if defective products have been installed. In this case and in the case of accidental damage after installation, in-situ repairs can be made by specialists, subject to prior agreement of terms with your retailer.

Please also note that shading and crazing are characteristics of the glazed tiles used in tiled inserts and tiled hearths.

There are occasions when designs, or products are altered or discontinued without prior notice (a reserved right), so if you are about to set your heart on a particular fireplace, please consult your retailer before making that final commitment.

ADVICE BEFORE YOU COMMIT TO THE INSTALLATION OF YOUR PENMAN COLLECTION FIREPLACE.

BROCHURE PHOTOGRAPHY

All the images throughout this brochure are for illustrative purposes only. The colours shown in the brochure are as accurate as possible, however some natural materials may vary due to the nature of the products. Some room sets may appear not to comply with the requirements of the latest building regulations, we would always advise that you check your proposal with your approved fitter before proceeding with any project.

DISCLAIMER

The brochure was correct at the time of printing, we reserve the right to change or withdraw details, prices or specifications without prior notice. Every effort has been made to ensure the accuracy of information in this brochure. All dimensions are given for your convenience and should only be used as a guide. Colour reproduction is as accurate as current printing methods allow. We cannot be held responsible for changes or matters outside our control.





INSTALLATION

Your Penman fireplace is made up of a number of different components and it is important to ensure that your installer has the necessary qualifications and experience to fit ALL the components of a fireplace.

All Penman appliances are supplied with detailed, comprehensive installation and user instructions. All installations must be in accordance with the manufacturer's instructions, current building regulations and subsequent British standards. The installation should only be carried out by a qualified competent persons. For all gas appliances, a Gas Safe registered engineer and for solid fuel, a HETAS registered engineer. Failure to comply with these requirements may render the appliance unsafe in the first instance, impede on the efficiency and serviceability of your appliance and ultimately invalidate any warranty.

All installers in order to satisfy the terms and conditions of our warranty must be registered with the appropriate regulating bodies as deemed by Percy Doughty. All gas installers within the UK must be registered with the Gas Safe Register. In the Republic of Ireland the Board Gais and for solid fuel installations all installers must be registered with HETAS and for Scotland be compliant with the current Technical Handbook – Domestic.

It is important that you retain all documentation following the installation as this will be required in order to activate the warranty if needed. The documentation should be supplied by building control following successful registration of each installation by the installer, for both gas and solid fuel appliances together with any commissioning certificates, benchmarks and service records completed in the rear of the installation manual. It would be the responsibility of the installer to provide all the necessary information, however in some circumstances where documentation is absent then communications with your local building control officer may be beneficial, for solid fuel installations only.

When installing any Granite, Slate or Limestone hearth please ensure the area is flat and free from debris and dust, preferably to be situated on a concrete sub hearth. We would also recommend that the under surface only is primed/ sealed with a suitable PVA glue or equivalent and left to dry sufficiently, prior to bedding down. The hearth would then need to be bedded down on a strong sand and cement bed with a medium consistency, taking into account the need to fill any voids, spaces and support points to accommodate the safe functioning of the whole installation when completed. We would also advise that when installing the mantel, always prime and seal the under surface that will come into contact with any adhesive or water based mixes. Failure to adhere to the advice given may result in moisture patches appearing that may stain and damage the material, these effects may be irreversible and render the installation unfit for purpose.

Marble is not suitable for solid fuel applications. The colours shown in this brochure are as accurate as possible. If the colour you require is critical then please consult your retailer before making your decision.

When you are identifying your chimney please see page 68 in the brochure. If you are not clear please consult your HETAS or Gas Safe Registered (Board Gais in Republic of Ireland) installer or your approved stockist.

Gas fires within The Penman Collection with a gas input of 6.9kW or less do not normally require additional ventilation, however there are some circumstances where additional ventilation may be required. This would be determined by your installer when completing a survey before installation. For appliances with an input of 6.9kw or over, please ask your retailer for further information on the additional ventilation requirements.

When fitting a decorative gas fire within a basket the manufactures instructions and current British standard BS 5871 Part 3, must be followed, and in doing so a risk assessment must be completed by the installer to ensure that a sufficient gap is provided around the basket when placed inside the builders opening or purpose built fire chamber. This is essential for the adequate service and future maintenance of the appliance and also allowing for good access to the controls. It is also important for air flow cooling around the appliance basket, which would also allow for the best possible flame picture. It is also an important consideration to ensure the correctly rated materials have been used within the builders opening or purpose built chamber.

Your new gas appliance will require an annual service and maintenance but not limited to, dependent on use. It is a requirement of the warranty that this is carried out by a qualified competent person registered with the appropriate regulatory body as deemed by Percy Doughty. In doing so will help you enjoy many years of trouble free usage of your appliance.

- All cast iron products are manufactured in ISO 9002 accredited manufacturing facilities.
- All the gas fires we supply are tested in accordance with CE requirements and are CE marked.
- All measurements are approximate and may vary slightly so allow for a tolerance of plus or minus 12mm.
- To achieve some of the colour options, we plate the products using a variety of manufacturing processes. "Antique Brass finish" or "Chrome finish" are not brass or chrome.

A dark, modern interior corner. On the left, a wall is covered in stacked, textured stone tiles. To the right, a dark, possibly black, cabinet or wall panel is visible, featuring a recessed rectangular area with a thin white border. The lighting is dramatic, highlighting the textures of the stone and the smooth surface of the dark panel.

THE PENMAN COLLECTION

True Beauty, Effortless Style & Flawless Finish